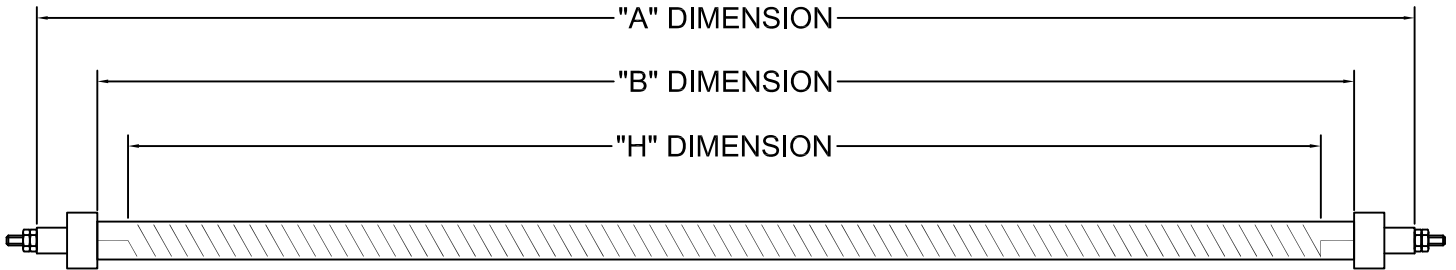


Infratech Replacement Quartz Infrared Heating Elements For Other Manufacturer's Fixtures

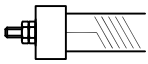
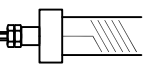
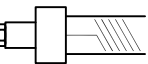
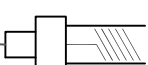
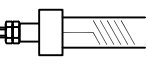
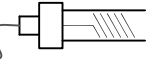
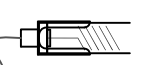
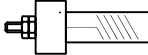
In addition to replacement elements for Infratech fixtures, we manufacture a complete line of elements to fit virtually any other infrared fixture. To order replacement elements for your particular fixture, please fill out and submit this form. When we receive your order we will e-mail you a price quote with shipping charges and payment options. Of course, you may fax, e-mail, or call us anytime.

Step 1 - Measure Your Bulb



Measure "A" - The Overall Ceramic Shoulder to Ceramic Shoulder
 Measure "B" - The Length of the Quartz Tube Between Ceramics
 Measure "H" - The Length of the Wound Element Coils Inside the Tube

Step 2 - Determine Which Type of Connector Ends Are On Your Bulb

- | | | |
|--------|---|--|
| Type A |  | 3/4" Cup Ceramic
5/8" Quartz Tube
8-32 Stud |
| Type B |  | 3/4" Short Tip Ceramic
5/8" Quartz Tube
6-32 Stud |
| Type C |  | 3/4" Cup Medium Tip Ceramic
5/8" Quartz Tube
8-32 Stud |
| Type D |  | 3/4" Cup Medium Tip Ceramic
5/8" Quartz Tube
6" Lead |
| Type H |  | 5/8" Short Tip Ceramic
1/2" Quartz Tube
8-32 Stud |
| Type I |  | 3/4" Cup Ceramic
1/2" Quartz Tube
6" Lead |
| Type J |  | 1/2" Snap-in tip Ceramic W/Clip
1/2" Quartz Tube
6" Lead |
| Type M |  | 1/2" Cup Ceramic
1/2" Quartz Tube
8-32 Stud |

For Use With
5/8" Quartz Tube

For Use With
1/2" Quartz Tube

Dimension A _____
 Dimension B _____
 Dimension H _____

Connector Type _____
 Watts _____
 Volts _____
 Quantity _____

Name _____
 Address _____

Phone Number _____
 Fax Number _____
 E-Mail _____



344 W. 157th Street
Gardena, CA 90248

PH (800) 421-9455 PH (310) 354-1250

www.infratech-usa.com

Fax This Form to (310) 523-3674